

HB915R



HB915A



HB915B



## LED Hide-A-Blast™ Series 9-LED

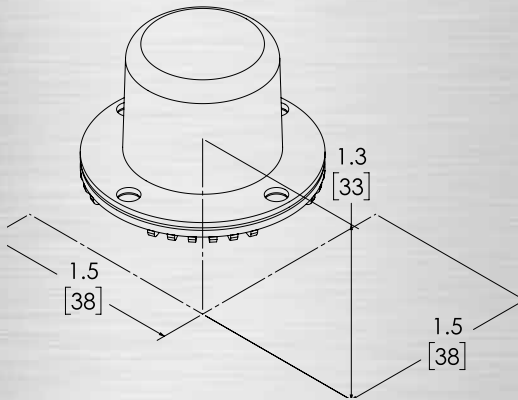
Auxiliary LED warning for head and tail lights

LEDs Emit Color Through Clear Outer Lenses

Multiple colored LEDs allow use of the lights in both head light and tail light locations.

### DESIGN FEATURES

- Polycarbonate clear lens
- Mounting can be vertical or horizontal
- 30 flash patterns
- Universal fit for all vehicles
- Mounts in a 1" hole (same size as a strobe tube)
- 15 foot (25 mm) cable
- Self-contained and sealed control module — No need for a separate flasher module



### SPECIFICATIONS

- 0.875" L x 1.5" W (22 x 38 mm)
- 12/24VDC
- 1.5 average amp draw
- 18 watts average
- 5-year warranty



Single Color LEDs



EXTERIOR



HB6PAK



## 6-Pack LED Hide-A-Blast™

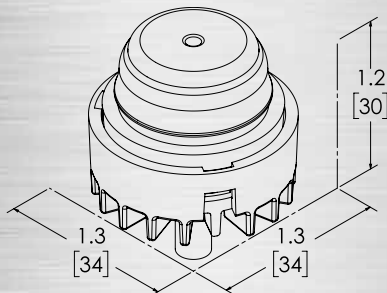
Easy installation. No install screws needed, just pop it in a 1 inch mounting hole.

Standard Black Bezel

Optional Chrome Bezel: 6PKBZCHM

### DESIGN FEATURES

- 6 LEDs in polycarbonate clear lens
- 20 flash patterns (19 flashing, 1 off pattern)
- Multiple Hide-A-Blast Series LED lights can be connected together and operated from the same control switch
- Twist lock version available for headlights and tail lights (see website for more information)
- 15 foot cable



### SPECIFICATIONS

- Lighthouse 0.984" D x 0.591" H (25 mm x 15 mm) to the top of the lighthouse base, overall 1.181" H (30 mm)
- Lighthouse base is 1.366" D (35 mm)
- Controller module 1.035" W x 5.597" L x 0.579" H (26 x 142 x 15 mm)
- 12/24VDC
- 1.05 average amp draw
- 13.5 average watts



Split Color LEDs