

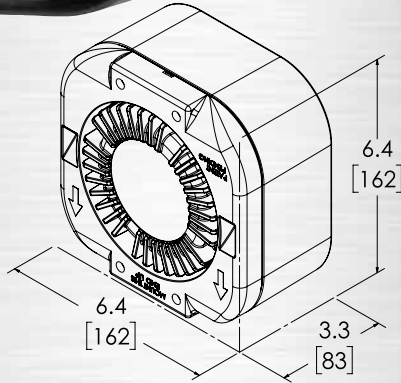


C3100

C3100 Speaker

DESIGN FEATURES

- Compact, low profile design that works with all Code 3 sirens
- Produces low frequency tone with Banshee® amp
- High efficiency
- Easy to install grille mount
- Universal and vehicle specific mounting brackets



SPECIFICATIONS

- 6.25" W x 3.25" D x 6.25" H (159 x 83 x 159 mm)
- 100 W
- Meets SAE J1849 and California Title 13 requirements when used with Code 3 sirens
- 5-year warranty on driver

Caprice 2011+	Charger 2015+	Expedition 2007+	F150 2015+	Fusion 2014+	Impala 2006+	Interceptor Sedan 2012+	Interceptor Utility 2015+	Silverado 2016 (2017)	Tahoe 2015-16 (2017)
C3100CP	C3100CH15 C3100CH15-2 C3100CH15-LM	C3100EN07	C3100F15015 C3100F15015-2	C3100FFU1	C3100IM3 C3100IM4 C3100IM4-2	C3100PI C3100PI-D	C3100-PIU C3100-PIU-2 C3100-PIU-SD	C3100SLV16 C3100SLV17	C3100TH15 C3100TH15-2 (C3100TH17)

See the Code 3 pricebook or bracket button on the Code 3 home page for siren bracket information.

C3500 Speaker

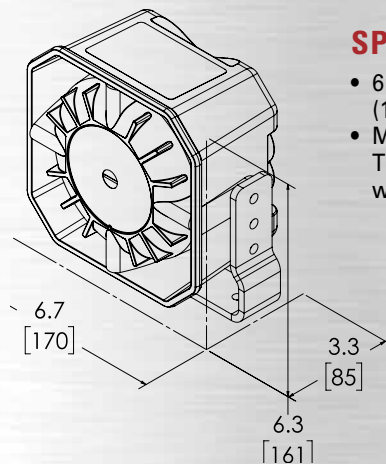
Lightweight, Rugged and Weather-Resistant.



C3500

DESIGN FEATURES

- Compact, low profile design
- High efficiency
- Easy to install, grille mount
- Universal mounting bracket



SPECIFICATIONS

- 6" H x 3.25" D x 6" W (152 x 83 x 152 mm)
- Meets SAE J1849 and California Title 13 requirements when used with Code 3® sirens.