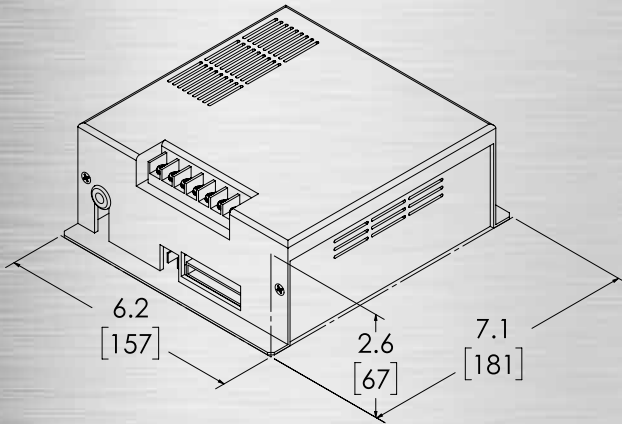




3599L5

*User Selectable Features



H₂Covert™ Hand-Held

Remote siren system with hand-held controller

DESIGN FEATURES

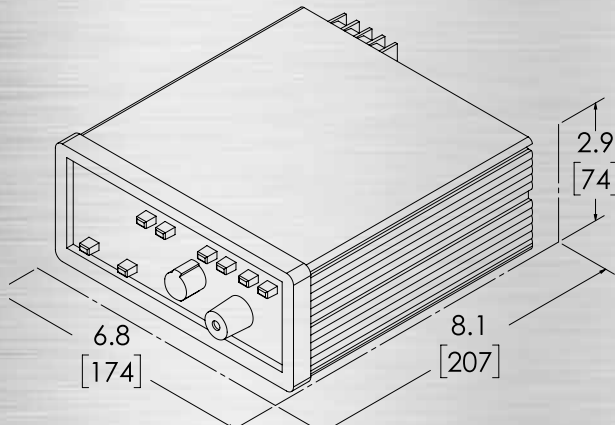
- Siren Tones: Wail, Yelp, Hi-Lo, Hyper-Lo, Hyper-Yelp, Whoop, Manual Wail, and Air Horn
- Public Address (PA) with Built-in noise cancelling mic
- Radio Rebroadcast, Instant On, and Stand-by
- Siren Scroll and Siren Park Kill with level three Drop-Out option*
- Horn Ring transfer*
- Vehicle light control buttons; 3 progressive (semi-progressive also available), four auxiliary
- All buttons are backlit with on/off color change
- Push button programmable siren tones*
- Two programmable airhorn pitch tones*
- 25 foot extension cable
- Banshee siren amp compatible for additional features

SPECIFICATIONS

- Control Head: 5.9" x 2.4" x 1.2" (150 x 60 x 31 mm)
- Amplifier: 7.1" x 6.2" x 2.7" (180 x 158 x 67 mm)
- Operating voltage: 10-16VDC
- Light control current load
 - Progressive switches have switch 1, 2 and 3: 20 amps each
 - 4 auxiliary switches and each have a 10 amp capacity
- Total output capacity: 200 watts (can drive two 100 watt speakers)
- Meets SAE J1849 and California Title 13 guidelines with 100 watt Code 3 speakers. Meets ECE 10.
- 5-year warranty



3892L6



MasterCom™ B

Electronic sirens designed to meet the needs of emergency vehicles

DESIGN FEATURES

- Instant On
- Adjustable backlighting
- Insertable legends for light controls
- Selectable Hit-N-Go or Horn Ring Scroll Mode
- Mounting bail
- Automatic short circuit protection
- Banshee siren amp compatible for additional features

OPTIONS

- InterClear and LightAlert
- Plug-in microphone
- Quick disconnect

SPECIFICATIONS

- 6.9" L x 6.87" W x 2.9" H (176 x 174 x 74mm)
- Input voltage - 10 to 16VDC
- 8 amps @ 13.6V with 11-ohm load (100 watt speaker)
- Optional 200 watt operation: 14 amps at 13.6V with 5.5-ohm load (2- 100 watt speaker)
- Meets SAE J1849 and California Title 13 guidelines with 100 watt Code 3 speakers